



Extend your Lifestyle® Aluxor Windfast

create shade under tension

The Aluxor Windfast is a tensioned vertical screen awning ideal for shade, privacy and skylights. Solar rays are blocked before they reach the windows, so providing the most effective solution to reduce the internal room temperature. The front bar uses a tensioned spring enabling the screen to have a perfect fabric tension fixed securely in any position without movement of the rail under windy or exposed conditions.

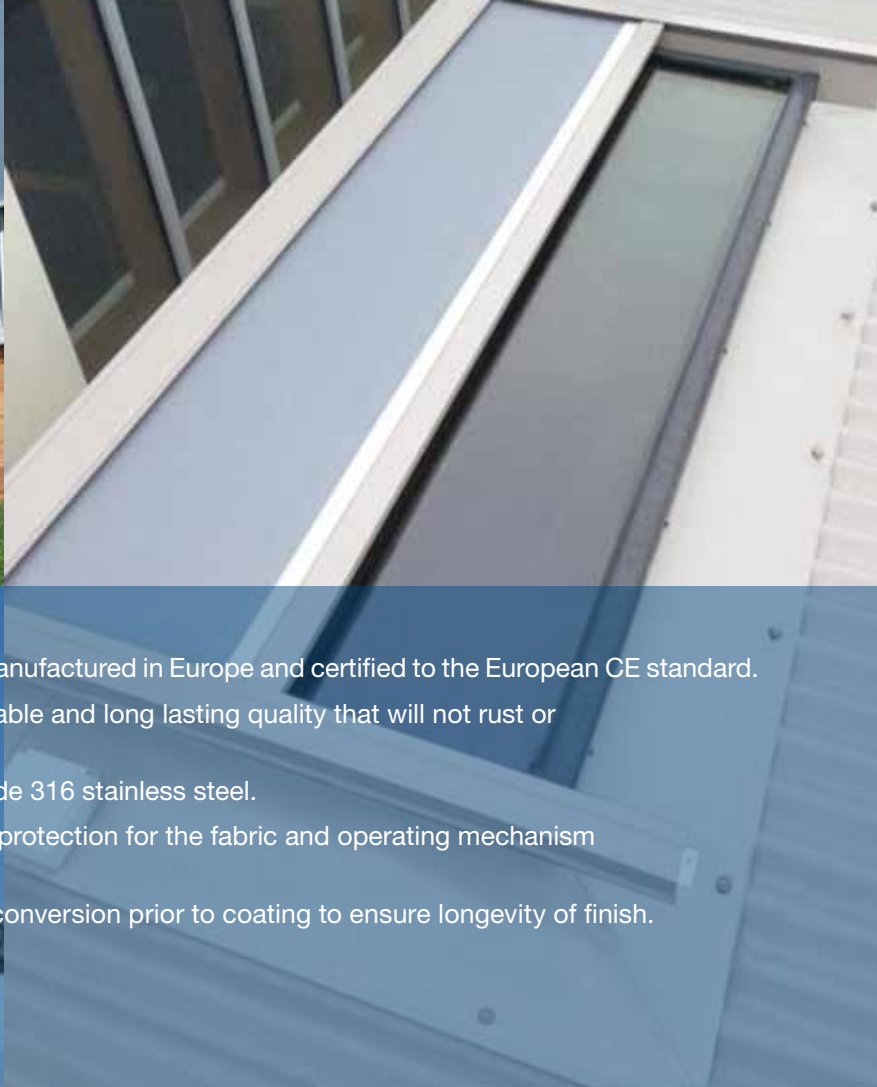
The elegant and discreet cassette is constructed from high quality extruded aluminium with the cassette size being 105mm high x 105mm deep. The single unit can be up to 3 metres wide with a drop of 3 metres or a maximum area of 8.25m². It is available as a wall mount or ceiling mount installation.

The vertical screen is available with fabric cover guide channels ideal for complete sunblock or useful for media rooms where a blackout room is required. The Windfast can also operate in a horizontal position for sun protection above or below a skylight.

The Aluxor Windfast is discreet, innovative and highly reliable. It is available in standard colours of white, silver, cream, black, beige and dark grey or in a selection of custom powdercoat colours and a variety of fabrics to compliment the awning. The awning can be operated manually by a crank handle and gear operation or can be motorised with optional sun, wind and timer systems.

Aluxor Awnings is a leading manufacturer of European precision-engineered awnings, operating in Australia for over 30 years. Our awnings are built to last.





All operating components are designed and manufactured in Europe and certified to the European CE standard.

Extruded aluminium profiles provide solid, stable and long lasting quality that will not rust or vibrate in harsh conditions.

Construction hardware is made of marine grade 316 stainless steel.

The fully enclosed cassette provides optimal protection for the fabric and operating mechanism when retracted.

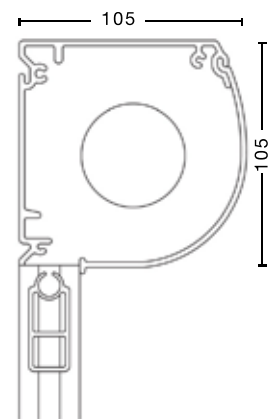
Powdercoat profiles pre-treated by chromate conversion prior to coating to ensure longevity of finish.

Specifications

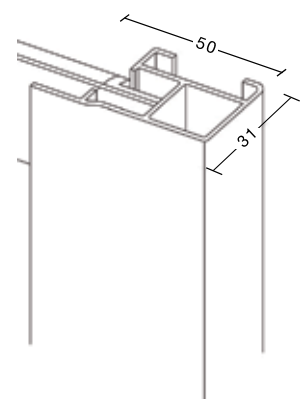
<i>Dimensions (h x d)</i>	✓ 105mm x 105mm
<i>Width single unit / coupled</i>	✓ 0.7m – 3m
<i>Drop range</i>	✓ 3m
<i>Maximum m² (single unit)</i>	✓ 8.25m ²
<i>Extruded aluminum cassette</i>	✓ White, silver, cream, black, beige and dark grey powdercoat
<i>Extruded aluminum cassette</i>	A 140 powdercoat colours
<i>Fabric</i>	A Acrylic canvas or PVC mesh
<i>Operating mechanism</i>	✓ Manual
<i>Automation features</i>	A Motorised, sun, wind & timer systems

✓: Standard A: Available
 Designs and specifications for all awnings subject to change without notice.

Windfast Section



Windfast Guiderail



Your Authorised Distributor is:

ALUXOR 
 AWNING SYSTEMS

Aluxor Awning Systems
 Aluxor Industries Pty Ltd
www.aluxor.com.au



conditions apply